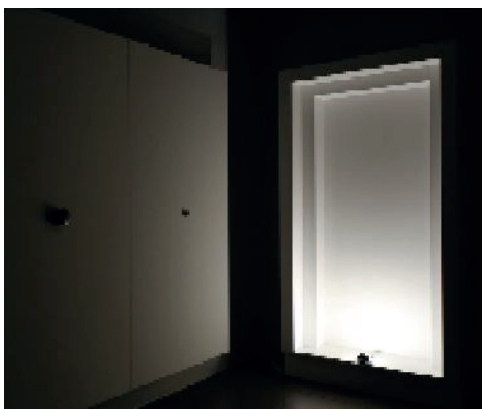




Surface mounted luminaire with a low physical presence that is ideal for highlighting the details on buildings' facades. Design by Dean Skira.



Luminaire characteristic:	Power input: 4W (system wattage) Lumens: 192lm (for 3000K, 80CRI) Luminaire efficacy: 48lm/W
Source:	White LED (LM-80), 3000K: 80CRI,
Lumen maintenance:	80% of initial lumens at 50 000 hours (L80) (LM-79).
Optic:	Wall washer effect.
Material:	Body: Die-cast aluminum Diffuser: PMMA lens Hardware: Stainless steel screws
Mounting:	Wall or ceiling mounted, installs on standard 4" octagonal junction box. Floor mounting in dry location only (interior).
Electrical:	Integral high efficiency LED driver rated at 50 000 hours, 120V, 120-277V.
Finish:	White (RAL9016) or gray (RAL9007) painted finish with a high level of weather and UV resistance. The semi-gloss finish coating is electrostatically applied, durable acrylic enamel baked at high temperatures for superior color retentive finish.
Operating temperature:	-30°C to 50°C (-22°F to 122°F)
Weight:	Small: 0.5lb (0.23kg) Medium: 1.25lb (0.56kg)
Warranty:	5 year limited warranty.
Ratings:	IP66, IK07
Certification:	cULus listed for wet location.



ORDERING INFO



PRODUCT CODE

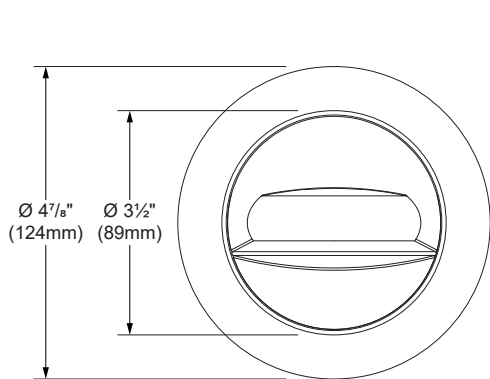
--	--	--	--	--	--	--	--

MODEL	SIZE	OUTPUT	MOUNTING	LED	OPTIC	VOLTAGE	FINISH
-------	------	--------	----------	-----	-------	---------	--------

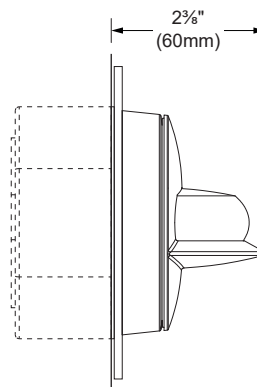
ITRC Trick	S Small	BO Base output	JB Surface mounted junction box	830 3000K, 80CRI	WW Wall washer	120 120V	01 White
	M Medium						15 Gray

DIMENSIONS

S - SMALL

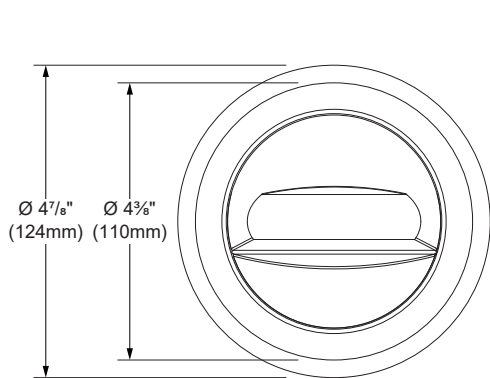


FRONT VIEW

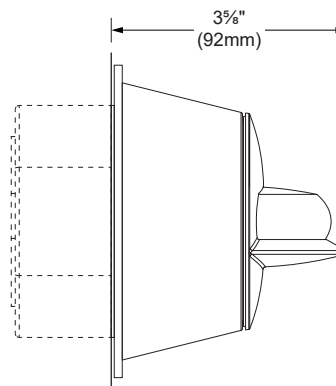


SIDE VIEW

M - MEDIUM



FRONT VIEW



SIDE VIEW

PHOTOMETRIC DATA

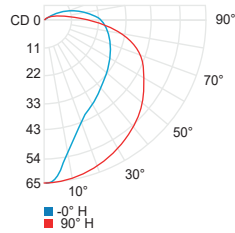
S - SMALL



CCT (K)*	CRI	LOAD (W)	OPTIC	LUMENS (lm)	EFFICACY (lm / W)	MAX CANDELA (cd)	MODEL
3000K	80	4W	Wall washer	192	48	63	ITRC-S-BO-XX-830-WW

* For products that uses a remote led driver, total system wattage will varies according to the efficacy of the remote led driver selected. For this reason, the load and efficacy values given in the table above refers to the led source only and does not include the led driver consumption.

Wall washer (3000K, 80CRI)



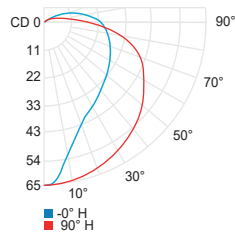
M - MEDIUM



CCT (K)*	CRI	LOAD (W)	OPTIC	LUMENS (lm)	EFFICACY (lm / W)	MAX CANDELA (cd)	MODEL
3000K	80	4W	Wall washer	192	48	63	ITRC-M-BO-XX-830-WW

* For products that uses a remote led driver, total system wattage will varies according to the efficacy of the remote led driver selected. For this reason, the load and efficacy values given in the table above refers to the led source only and does not include the led driver consumption.

Wall washer (3000K, 80CRI)



WALL WASHER LIGHT EFFECT

