

# GLIM CUBE

## CURVED WALL

Project name: \_\_\_\_\_

Type: \_\_\_\_\_



The glim cube is a LED luminaire ideal for pathways in residential areas.

### Luminaire characteristics:

**Power input:** 3.8W

**Lumens:** 110 to 127lm

**Luminaire efficacy:** 28 to 33lm/W

**Source:** LED module (LM-80 tested)

3200K : 80CRI,

4200K : 75CRI.

**Lumen maintenance:** 70% of initial lumens at >50 000 hours (L70), (LM79 tested).

**Optics:** light blade

### Material:

Body: Die-cast aluminum body

Diffuser: PMMA clear ribbed screen

Hardware: Stainless steel screws

**Electrical:** Integral high efficiency electronic power supply, rated at 50 000 hours, 120V.

**Mounting:** wal or ceiling mounted with hinging plate

**Finish:** Gray

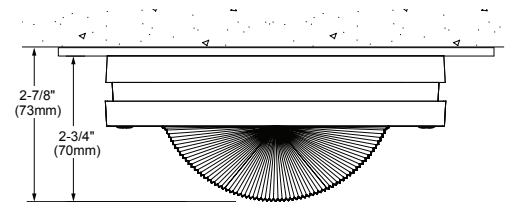
**Weight:** 1.1lbs (0.5kg).

**Contact temperature:** less than 40°C

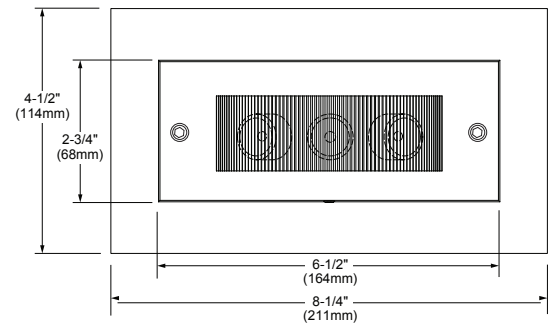
**Warranty:** 5 year limited warranty.

**Certification:** cULus for wet location.

**Ratings:** IP66, IK04



TOP VIEW



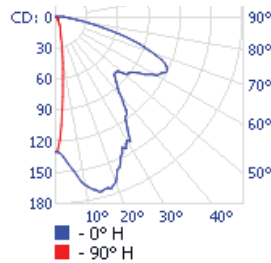
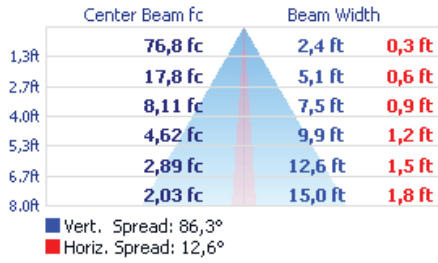
FRONT VIEW

Project name: \_\_\_\_\_

Type: \_\_\_\_\_

**TECHNICAL DATA**

LOAD (W)	CCT (K)	CRI	OPTIC	DELIVERED LUMENS (lm)	LUMINAIRE EFFICACY (lm / w)	CENTER BEAM CANDLE POWER (cd)	MODEL
3.8W	3200K	80	light blade	110	28	173	I.BB01
	4200K	75	light blade	127	33	198	I.BA99



3200K - 80 CRI - light blade

**ACCESSORIES**

(TO BE ORDERED SEPARATELY)

- CAN-5007-KIT- FOR SINGLE GANG BOX**  
DIM: 8-1/4" X 4-1/2" X 1/8"



**ORDERING INFO**

MODEL	VOLTAGE	FINISH
<input type="radio"/> I.BA99 - 4200K	<input type="radio"/> 120 - 120V	<input type="radio"/> 15 - Gray
<input type="radio"/> I.BB01 - 3200K		