

Laser Blade InOut

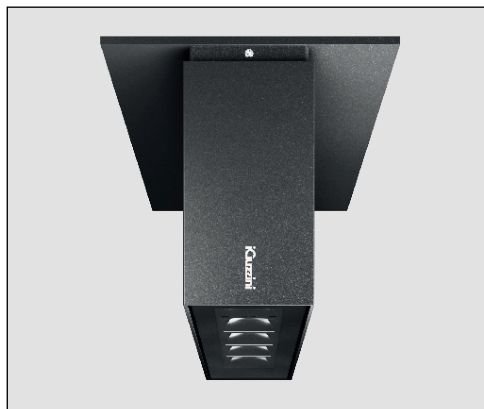
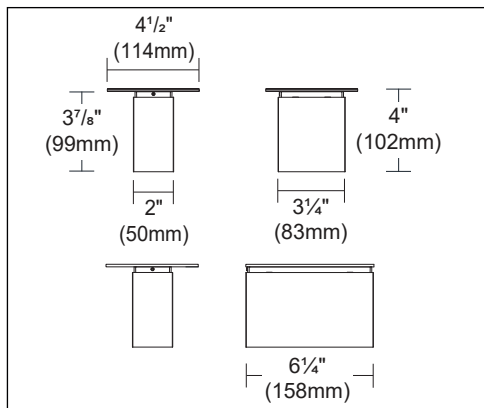
Ceiling / Remote

Type:

SPECIFICATION SHEET

Project :

Page: 1 of 5



Low luminance architectural ceiling mounted fixture for inside or outside location.

Luminaire characteristic: Power input system: 5.7W to 12.4W
Power input source: 3.9W to 10W
Lumens system for 3000K, 90CRI: 352 to 825lm
Luminaire efficacy for 3000K, 90CRI: Up to 69lm/W

Source: White LED (LM-80 tested)
2700K : 95CRI,
3000K : 90CRI,
3500K : 95CRI,
4000K : 95CRI.

Lumen maintenance: 90% of initial lumens at 100 000 hours (L90 B10)
T77° (25°)
90% of initial lumens at 100 000 hours (L90 B10)
T104° (40°)

Optic: High definition OPTI BEAM optics with luminance control UGR<19. Available in spot, flood and wide flood optics.

Material: Baffle: Thermoplastic.
Body: Painted extruded aluminum with excellent resistance to atmospheric agents and UV rays.
Diffuser: Transparent glass screen, with black serigraphy on the edge.
Optical assembly: Die-cast aluminum body and heat sink.

Mounting: Ceiling mounted, to be installed on a standard octagonal 4" junction box with painted canopy.
Remote can be installed without junction box.

Electrical: High efficiency dimmable LED driver, rated at 50 000 hours. 120V/277V.

Dimming: Leading (Triac) and trailing edge(ELV), down to 15%(120V) and 0-10V down to 10% (120-277V).

Finish: Body: Black, gray (RAL9007), rust brown and white (RAL9016).
Baffle: black, glossy sand, glossy copper, glossy urban bronze and glossy lead.

Weight: 2 Cells: 1.60lb (0.7kg)
5 Cells: 2.54lb (1.15kg)

Warranty: 5 year limited warranty.

Ratings: IK06, IP65

Certification:  Wet location

ORDERING INFO



PRODUCT CODE

--	--	--	--	--	--	--

MODEL	CELL	MOUNTING	LED	OPTIC	VOLTAGE	FINISH (BODY / BAFFLE)	
ILBIO	02 2- Cells	C Ceiling	927 2700K 95 CRI	SP ² Spot 12°	REM Remote	01 White / black	
	05 5- Cells		930 3000K 90 CRI			FL ¹ Flood 32°	T4 White / Glossy lead
			935 3500K 95 CRI			WF ² Wide flood 48°	T3 White / Glossy sand
			940 4000K 95 CRI				T2 White / Glossy copper
						T1 White / Glossy urban bronze	
						02 Black / Black	
						T0 Black / Glossy lead	
						S9 Black / Glossy sand	
						S8 Black / Glossy copper	
						S7 Black / Glossy urban bronze	
						15 Gray / Black	
						T8 Gray / Glossy lead	
						T7 Gray / Glossy sand	
						T6 Gray / Glossy copper	
						T5 Gray / Glossy urban bronze	
						I5 Rust brown / Black	
						U2 Rust brown / Glossy lead	
						U1 Rust brown / Glossy sand	
						U0 Rust brown / Glossy copper	
						T9 Rust brown / Glossy urban bronze	

¹ Available for 2 cells.
² Available for 5 cells.

REMOTE LED DRIVER OPTIONS (TO BE ORDERED SEPARATELY)

PRODUCT CODE

Indoor rated drivers

Driver box model	Min-max units	
	ILBIO02 4.2W*	ILBIO05 10W*
4444-0700-011-UNV-ND	2	
4444-0700-022-120-LTE	2-4	1-2
4445-0700-040-120-LTE	7-8	3
4443-0700-014-UNV-D2	3	1
4443-0700-025-UNV-D2	4-5	2
4443-0700-035-UNV-D2	6-7	3
4444-0700-007-UNV-D10	1	
4450-0700-030-UNV-ED10	1-6	1-2
4450-0700-038-UNV-ED10	1-8	1-3
4450-0700-030-UNV-SD10	1-6	1-2
4448-0700-100-UNV-SD10 (4 led output)	1-20 5 max per led output	1-8 2 max per led output

Outdoor rated drivers

Driver box model	Min-max units	
	ILBIO02 4.2W*	ILBIO05 10W*
4548-0700-011-UNV-ND	2	
4548-0700-022-120-LTE	2-4	1-2
4548-0700-040-120-LTE	7-8	3
4548-0700-014-UNV-D2	3	1
4548-0700-025-UNV-D2	4-5	2
4548-0700-035-UNV-D2	6-7	3
4548-0700-007-UNV-D10	1	
4549-0700-030-UNV-ED10	1-6	1-2
4549-0700-038-UNV-ED10	1-8	1-3
4549-0700-030-UNV-SD10	1-6	1-2
4549-0700-100-UNV-SD10 (4 led output)	1-20 5 max per led output	1-8 2 max per led output

* Wattage requirement for one (1) fixture (remote fixture only).

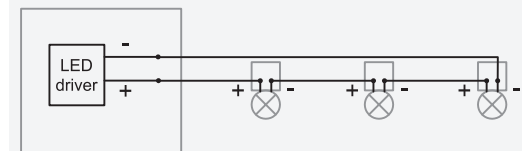
DRIVER BOX MODEL DESCRIPTION

DIMENSION	CONSTANT CURRENT	WATTAGE	VOLTAGE	DIMMING PROTOCOL
4443 5" x 4" x 3" (127 x 102 x 76mm)	0700 700mA	011 to 100 11W to 100W	120 120V	ND No dimming Max distance: 9m (30ft) ¹
4444 6" x 4" x 3" (152 x 102 x 76mm)			UNV 120-277V	D10 0-10V Max distance: 9m (30ft) ¹ (down to 10%)
4450 8" x 8" x 4" (203 x 203 x 102mm)				D2 Lutron Hi Lume® 1% EcoSystem™ (Soft-on, Fade to Black) Max distance: 9m (30ft) ¹ (down to 1%)
4448 10" x 8" x 4" (254 x 203 x 102mm)				ED10 0-10V ELDOLED ECOdrive Max distance: 36m (118ft) ¹ (down to 1%)
4549 14.5" x 5" x 3.5" (368 x 127 x 89mm)				SD10 ² 0-10V ELDOLED SOLOdrive Max distance: 36m (118ft) ¹ (down to 0.1%)
				LTE Leading edge and trailing edge (ELV and TRIAC) Max distance: 9m (30ft) ¹ (down to 15%)

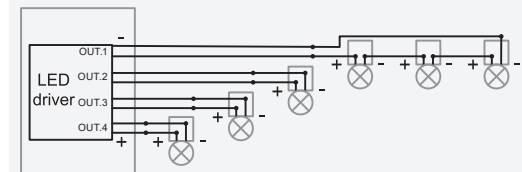
(1) Max distance cable calculated for 16AWG cable. Contact customer service for longer remote distance.

WIRING DIAGRAMS

Multiple luminaires must be connected in series (home run or fixture chain)

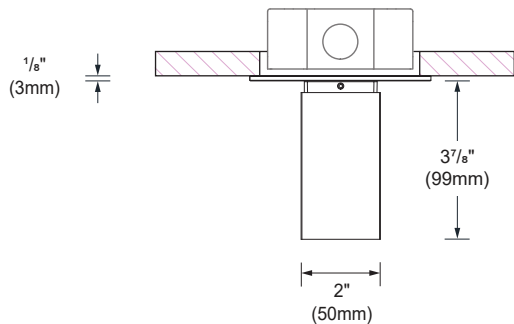


(2) Luminaires must be connected on separate led output (1-4). Multiple luminaires can be connected in series on a led output (home run or fixture chain). Do not exceed the wattage and voltage range on each led output.

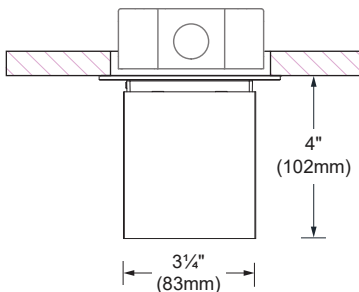


DIMENSIONS

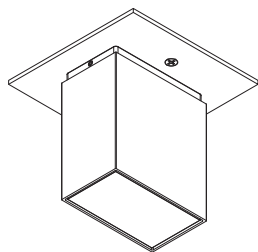
ILBIO02



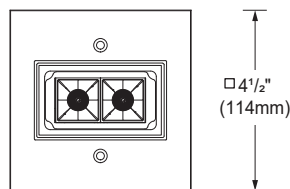
SIDE VIEW



FRONT VIEW

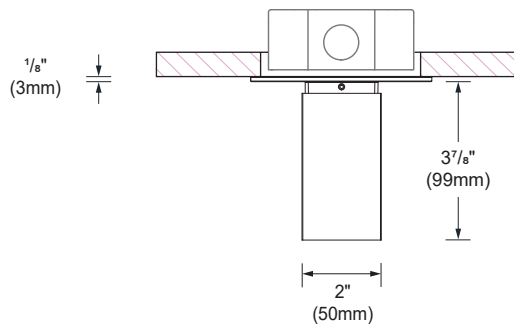


ISOMETRIC VIEW

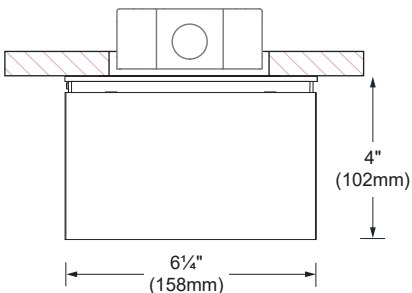


BOTTOM VIEW

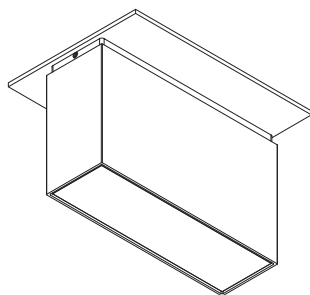
ILBIO05



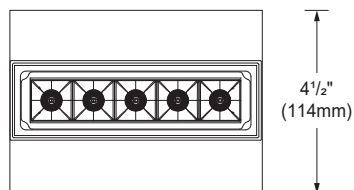
SIDE VIEW



FRONT VIEW



ISOMETRIC VIEW

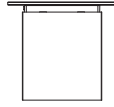


BOTTOM VIEW

PHOTOMETRIC DATA

Visit sisternalux.com for complete photometric data.

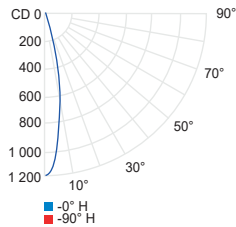
ILBIO02



CCT (K)	CRI	LOAD (W)**	OPTIC	LUMENS (lm)	EFFICACY (lm / W)	MAX CANDELA (cd)	MODEL
3000K	90	6.2W*	Flood 32°	352	56	1 141	ILBIO02-C-930-FL-UNV-XX

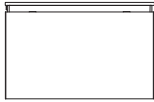
*Other CCT are 95 CRI and 5.7W

Wide flood 32° (3000K, 90CRI)



Center beam fc	Beam width ft
285	1.6
71.4	2.3
31.7	3.5
17.8	4.7
11.4	5.8
7.93	7.0

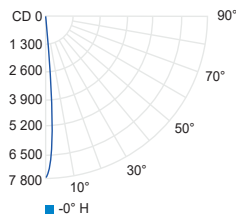
ILBIO05



CCT (K)	CRI	LOAD (W)**	OPTIC	LUMENS (lm)	EFFICACY (lm / W)	MAX CANDELA (cd)	MODEL
3000K	90	11.8W*	Spot 12°	825	70	7 766	ILBIO05-C-930-SP-UNV-XX
			Wide flood 48°	825	70	1 464	ILBIO05-C-930-WF-UNV-XX

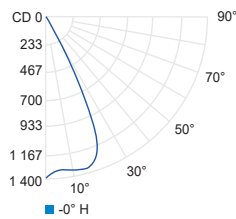
*Other CCT are 95 CRI and 12.4W

Spot 12° (3000K, 90CRI)



Center beam fc	Beam width ft
1 941	0.5
485	0.9
216	1.4
121	1.8
77.7	2.3
53.9	2.7

Wide flood 48° (3000K, 90CRI)



Center beam fc	Beam width ft
344	1.7
85.9	3.3
38.2	5.0
21.5	6.7
13.7	8.4
9.54	10.0

CCT options	2700K	3000K	3500K	4000K
CRI options	95CRI	90CRI	95CRI	95CRI
Multiplier	0.72	1	0.78	0.82

**For products that use a remote LED driver, total system wattage will vary according to the efficacy of the remote LED driver selected. Use multiplier table for other CCT and CRI output data. Efficacy based on IESNA LM-79 test reports.