



Low voltage track system with professional luminaires for commercial and residential applications. The miniature 48V track is designed for ceiling or wall application (with Remote power supply).

Only 28 mm wide, laser blade XS is an ultracompact architectural track head. Perfect for retail and hospitality environments. The light is aimed and maximised by a micro optical assembly that uses our patented Opti Beam technology.

**Luminaire characteristics:**

**Power input:** 3.5W to 5.5W (system wattage)  
**Lumens:** 135lm (for 3000K, 90CRI)  
**Luminaire efficacy:** Up to 38lm/W

**Source:** White LED (LM-80 tested),  
2700K : 90CRI,  
3000K : 90CRI,  
3500K : 90CRI,  
4000K : 90CRI.

**Lumen maintenance:** 80% of initial lumens at 50 000 hours (L80)  
(LM79 tested)

**Optics:** Low luminance Opti Beam technology with flood high contrast distribution.  
See page 2 for detailed offering.

**Material:** Body: extruded aluminum  
Reflector and baffles: metalized thermoplastic  
Adapter: thermoplastic material

**Mounting:** Mechanical fastening with adapter on low voltage track 48V.

**Electrical:** Low voltage track (48v) with remote power supply (Class 2 wiring).

**Finish:** Black or white (RAL9010) painted finish.

**Weight:** Single \ double : 0.37lb (0.17kg) to 0.66lb (0.3kg)

**Warranty:** 5 year limited warranty.

**Ratings:** IP20

**Certification:**  cULus listed for dry location

# LASER BLADE XS PROJECTOR

LOW VOLTAGE

Type:

Project :

SPECIFICATION SHEET

Page: 2 of 4

## ORDERING INFO



PRODUCT CODE

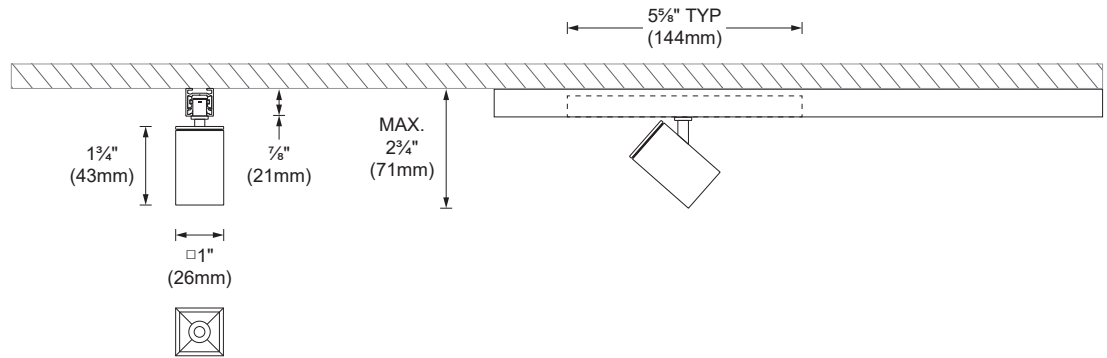
--	--	--	--	--	--

MODEL	VOLTAGE	MOUNTING	LED	OPTIC	FINISH
<b>01</b> Single	<b>LV</b> Low voltage (48v)	<b>T</b> Track	<b>927</b> 2700K, 90CRI	<b>FL</b> Flood 42°	<b>01</b> White / Black
<b>02</b> Double			<b>930</b> 3000K, 90CRI		<b>02</b> Black / Black
			<b>935</b> 3500K, 90CRI		<b>31</b> White / White
			<b>940</b> 4000K, 90CRI		

## DIMENSIONS

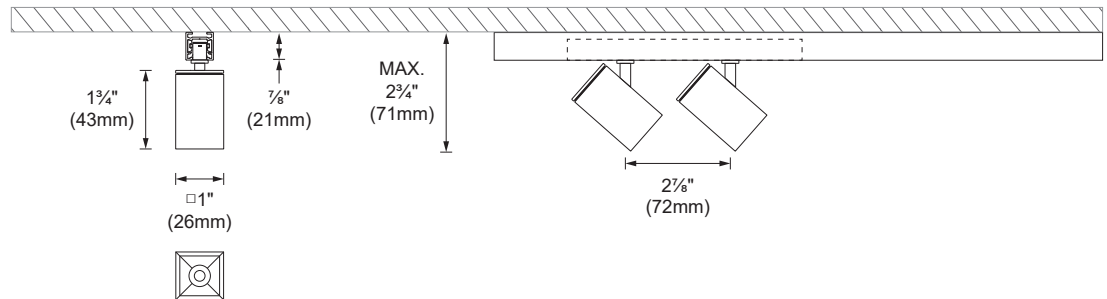
### LASER BLADE XS01 TRACK PROJECTOR

OPTIC:  
HIGH CONTRAST



### LASER BLADE XS02 TRACK PROJECTOR

OPTIC:  
HIGH CONTRAST



## PHOTOMETRIC DATA

Visit [iguzzini.com/us](http://iguzzini.com/us) for complete photometric data.

### TRACK MODEL

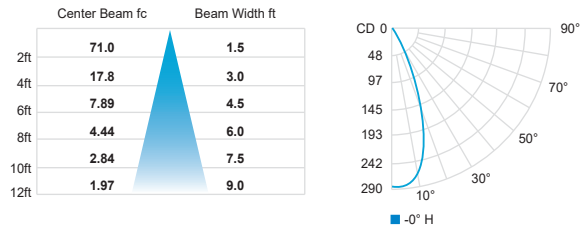
#### LBXS01



CCT (K)	CRI	LOAD (W)	OPTIC	LUMENS (lm)	EFFICACY (lm/w)	MAX CANDELA (cd)	MODEL
3000K	90	3.5W	Flood 42°	135	38	285	ILBXS01-LV-T-930-FL

\*USE MULTIPLIER TABLE BELOW FOR OTHER CCT AND CRI OUTPUT DATA

Flood 42° (3000K, 90 CRI)



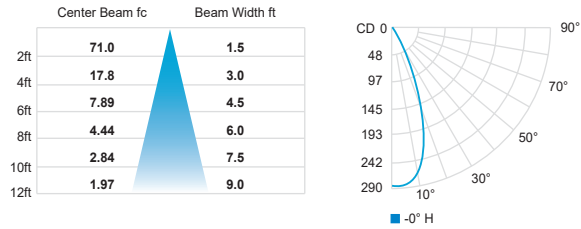
#### LBXS02



3000K	90	5.5W	Flood 42°	135	38	285	ILBXS02-LV-T-930-FL
-------	----	------	-----------	-----	----	-----	---------------------

\*USE MULTIPLIER TABLE BELOW FOR OTHER CCT AND CRI OUTPUT DATA

Flood 42° (3000K, 90 CRI)



CCT options	2700K	3000K	3500K	4000K
CRI options	90CRI	90CRI	90CRI	90CRI
<b>Multiplier</b>	<b>0.94</b>	<b>1</b>	<b>1</b>	<b>1.12</b>