

The Linealuce line is as compact as possible, and the Mini version, only 1.5" (37mm) wide, is the smallest. This luminaire can be either surface mounted or recessed. It is available in 5 different lengths and adapts easily to any project. Highly versatile product, Linealuce is suitable to light indoor and outdoor surfaces. Designed by Jean Michel Wilmotte.

**Luminaire characteristic:**

**Power input:** 2W/ft or 4W/ft (system wattage)  
**Lumens:** 165lm to 475lm/ft (for 3000K, 80CRI)  
**Luminaire efficacy:** Up to 102lm/W

<b>Source:</b>	White LED (LM-80 tested), 3000K: 80CRI, 4000K: 80CRI.
<b>Lumen maintenance:</b>	80% of initial lumens at 100 000 hours (L80).
<b>Optic:</b>	Available in spot, flood and wall grazing.
<b>Material:</b>	Body: Extruded aluminum. End caps: Die-cast aluminum alloy. Connection box: Polyphenylene sulfide. Protective screen: 1/8" (3mm) sodium-calcium tempered sealing glass with silk screen. Diffusing filter: PMMA (polymethyl methacrylate). Lens: Methacrylate. Hardware: Stainless steel.
<b>Mounting:</b>	Surface mounted, using mounting accessories (included). Adjustable arm. Supplied with 6.5' (2000mm) long cable. See mounting options on page 4.
<b>Electrical:</b>	See remote LED driver options on page 3.
<b>Dimming:</b>	Remote LED driver 0-10V, down to 10%.
<b>Temperature of operation:</b>	-22°F to 113°F (-30°C to 45°C)
<b>Glass surface temperature:</b>	104°F (40°C) maximum.
<b>Finish:</b>	Gray painted (RAL9007) with a high level of weather and UV resistance. The semi-gloss finish coating is electrostatically applied, durable acrylic enamel baked at high temperatures for superior color retentive finish.
<b>Weight:</b>	0.99lb/ft (0.45kg)
<b>Warranty:</b>	5 year limited warranty.
<b>Ratings:</b>	IP66, IK05
<b>Certification:</b>	cULus listed for wet location.



**ORDERING INFO**

**ILM** - - - - - **15**  
FIXTURE

**MODEL**

**ILM**

**OUTPUT**

**BO** - Base output       **HO** - High output

**OPTICS**

**SP** - Spot 17°<sup>(1)</sup>       **FL** - Flood 38°<sup>(1)</sup>       **WG** - Wall grazing

**LED**

**L3** - 3000K, 80CRI       **L4** - 4000K, 80CRI

**LENGTH**

\_\_\_\_\_ refer to configurations table on page 5.

**MOUNTING**

**M1** - Anodized aluminum support for surface mounting plate       **M2** - Stainless steel adjustable arms L: 3½"(90mm)       **M3** - Stainless steel adjustable arms L: 4½"(115mm)       **M4** - Stainless steel adjustable arms L: 8"(200mm)

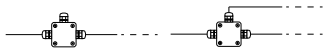
**FINISH**

**15** - Gray

<sup>(1)</sup> Available with high output (HO).

**ACCESSORIES (TO BE ORDERED SEPARATELY)**

**4543 - Wet location junction box**



**REMOTE LED DRIVERS OPTIONS**  
(TO BE ORDERED SEPARATELY)

Watts*	Voltage	Rated	Dimming protocol	Dimming range	Dimensions	Max distance 18AWG**
<input type="checkbox"/> <b>4448-0024-060-UNV-ND</b>						
60	120-277V	Indoor	None	None	10" x 8" x 4" (254 x 203 x 102mm)	30ft(9m)
<input type="checkbox"/> <b>4545-0024-075-UNV-ND</b>						
75	120-277V	Outdoor	None	None	11¼" x 3" x 1⅝" (285 x 75 x 41mm)	30ft(9m)
<input type="checkbox"/> <b>4548-0024-096-UNV-D10-PWM</b>						
96	120-277V	Outdoor	0-10V	Down to ±10%	6" x 4,5" x 3" (153 x 115 x 76mm)	30ft(9m)
<input type="checkbox"/> <b>4448-0024-120-120-ND</b>						
120	120	Indoor	None	None	10" x 8" x 4" (254 x 203 x 102mm)	30ft(9m)
<input type="checkbox"/> <b>4546-0024-200-2C-UNV-ND</b>						
200	120-277V	Outdoor	None	None	12¼" x 2½" x 2⅜" (311 x 114 x 60mm)	30ft(9m) Per channel
<input type="checkbox"/> <b>4448-0024-240-120-ND</b>						
240	120V	Indoor	None	None	12" x 8" x 4" (305 x 203 x 102mm)	30ft(9m)

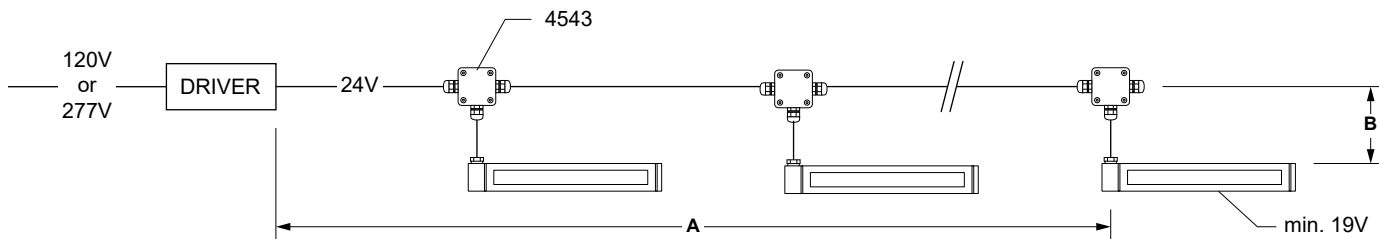
\* Wattage requirement for one (1) fixture: 4W/ft, 24V (remote fixture only).

\*\*The total power of all connected luminaires may not be higher than the power of the driver.

\*\*\*For longer remote distance, contact factory

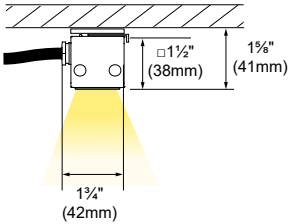
**WIRING EXAMPLE**

**MAX DISTANCE = A+B**

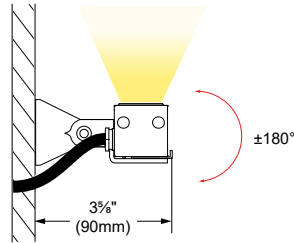


**MOUNTING AND DIMENSIONS**

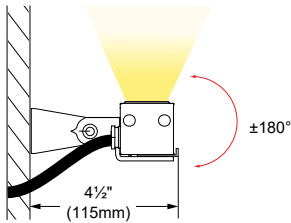
**M1 - Anodized aluminum support for surface mounting plate**



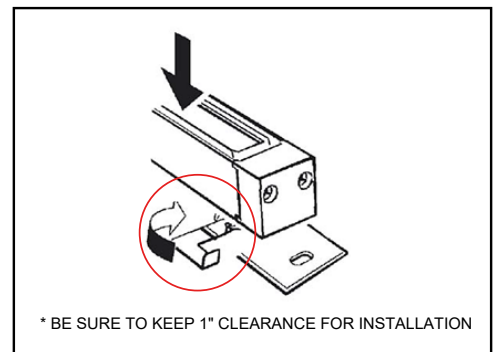
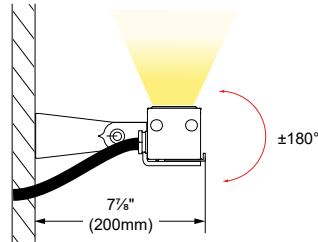
**M2 - Stainless steel adjustable arms.**  
L: 3 5/8" (90mm)





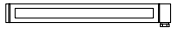


**M3 - Stainless steel adjustable arms.**  
L: 4 1/2" (115mm)



**M4 - Stainless steel adjustable arms.**  
L: 7 7/8" (200mm)



**LENGTHS**

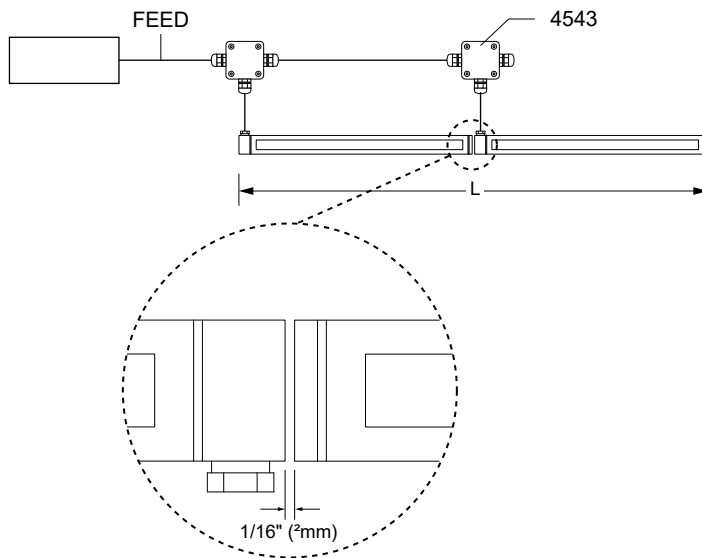
- 1.8'**  L: 1' 8¾" (528mm)
- 2.6' (\*)**  L: 2' 7¼" (792mm)
- 3.5'**  L: 3' 5⅝" (1056mm)
- 4.4' (\*)**  L: 4' 4" (1321mm)
- 5.2' (\*\*)**  L: 5' 2½" (1585mm)

\* Only available for wall grazing (WG) optic with High Output (HO).  
\*\* Only available for wall grazing (WG) optic.

**CONTINUOUS ROWS EXAMPLE**

Single elements can be combined to obtain dark spot free continuous row.  
\*Note that 2mm spacing minimum is required for continuous rows installation.

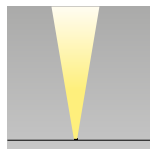
Nominal length	Exact length	Single elements qty
7'	6' 11¼" (2114mm)	2 x 3.5'
9'	8' 8" (2643mm)	1 x 5.2' + 1 x 3.5'
10.5'	10' 4⅞" (3172mm)	2 x 5.2'
12.5'	12' 1¾" (3702mm)	2 x 5.2' + 1 x 1.8'
15'	14' 9" (4495mm)	2 x 5.2' + 1 x 4.4'
17.5'	17' 4¼" (5290mm)	4 x 4.4'
19.5'	19' 1" (5817mm)	3 x 5.2' + 1 x 3.5'
21'	20' 9⅞" (6346mm)	4 x 5.2'
22.5'	22' 6¾" (6876mm)	4 x 5.2' + 1 x 1.8'
26'	26' ¾" (7933mm)	5 x 5.2'



**PHOTOMETRIC DATA**

Visit [iguzzini.com](http://iguzzini.com) for complete photometric data.

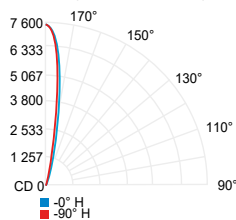
**SPOT**



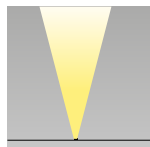
CCT (K)	CRI	OUTPUT	LOAD (W/ft)	LUMENS (lm/ft)	EFFICACY (lm/w)	MAX CANDELA (cd)	MODELS
3000K	80	HO	3.5W/ft	360	102	7 570	I.LM-HO-L3
4000K				360	102	7 570	I.LM-HO-L4

\*Available single unit length: 1.8' - 3.5'.

HO 17° (3000K, 80 CRI), 3.5'L.



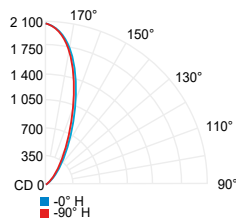
**FLOOD**



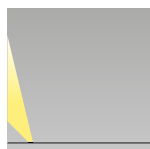
CCT (K)	CRI	OUTPUT	LOAD (W/ft)	LUMENS (lm/ft)	EFFICACY (lm/w)	MAX CANDELA (cd)	MODELS
3000K	80	HO	3.5W/ft	305	87	2 090	I.LM-HO-L3
4000K				305	87	2 090	I.LM-HO-L4

\*Available single unit length: 1.8' - 3.5'.

HO 38° (3000K, 80 CRI), 3.5'L.



**WALL GRAZING 20°**  
GRAZING HEIGHT UP TO 16 FT

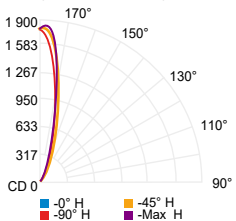


CCT (K)	CRI	OUTPUT	LOAD (W/ft)	LUMENS (lm/ft)	EFFICACY (lm/w)	MAX CANDELA (cd)	MODELS
3000K	80	BO	2W/ft	165	82	1 805	I.LM-BO-L3
		HO	3.5W/ft	275	78	2 955	I.LM-HO-L3
4000K		BO	2W/ft	165	82	1 805	I.LM-BO-L4
		HO	3.5W/ft	275	78	2 955	I.LM-HO-L4

\*Available single unit length BO: 1.8' - 3.5' - 5.2'.

\*Available single unit length HO: 1.8' - 2.6' - 3.5' - 4.4' - 5.2'.

BO (3000K, 80CRI), 3.5'L.



HO (3000K, 80CRI), 3.5'L.

