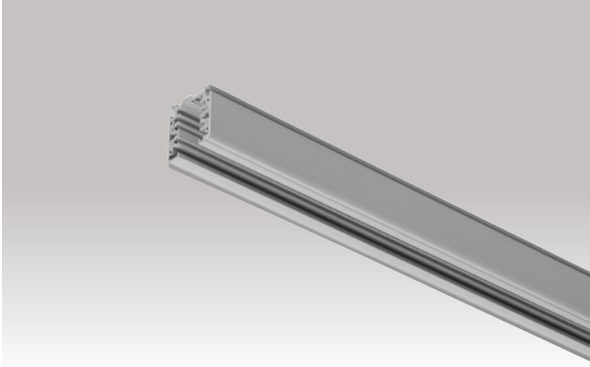


Project name: _____

Type: _____



General information

Mounting: Surface mount or suspended.

Body: Extruded aluminum professional track.

Electrical: 120V or 277V with two circuits, 20A per circuit.
2 hot, 2 neutral. Line voltage dimming capability.

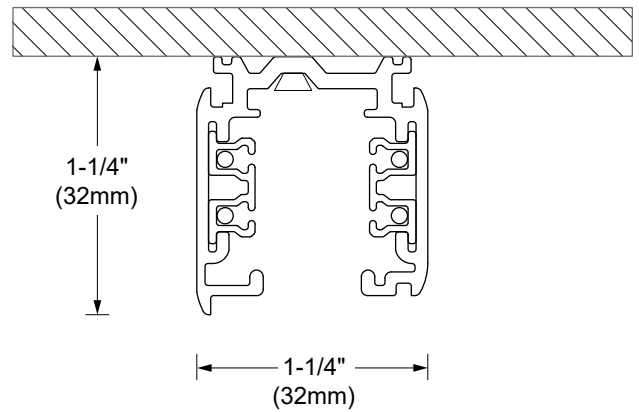
Finish:

Track: Anodized natural aluminum, white or black painted.

Accessories: White, black or gray painted.

Warranty: 1 year limited warranty.

Certification: cULus listed for dry location.



SECTION VIEW

Project name: _____

Type: _____

ELECTRICAL COMPONENTS (TO BE ORDERED SEPARATELY)

Feedable connexions

- 120V 277V
 01 - White 02 - Black 10 - Gray

I0175 - Live end feed



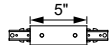
I0176 - Live end feed mirror



I0177 - Linear coupler



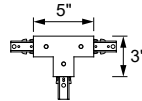
I0178 - Direct coupler



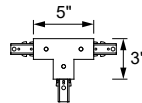
I0179 - L-Connector adjustable polarity



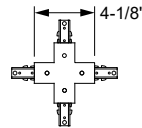
I0180 - T-Connector right polarity



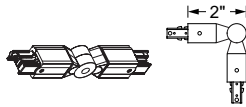
I0181 - T-Connector left polarity



I0182 - X-Connector



I0183 - Adjustable connector



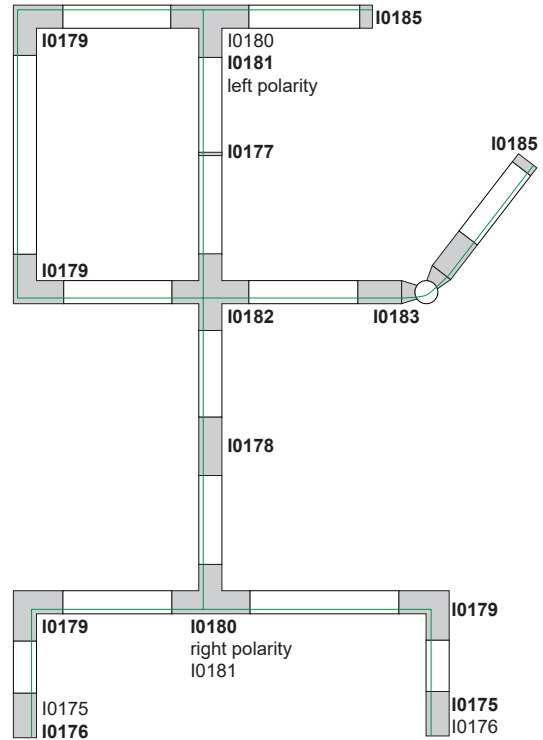
I0184 - Outlet box cover



I0185 - End cap



Example of configuration



Track is polarized and is manufactured with identifying ridge (green line on diagrams). Refer to these diagrams to ensure proper connector selection.

Project name: _____

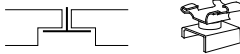
Type: _____

SURFACE MOUNTING (TO BE ORDERED SEPARATELY)

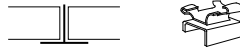
Track mounting clip

01 - White 02 - Black

I0201 - For T-BAR 15/16"
Recommended for Tegular edge tile



I0202 - For T-BAR 15/16"
Recommended for Square edge tile



I0205 - For dry wall or threaded rod 1/4"-20
(Rod supplied by others)



ACCESSORIES (TO BE ORDERED SEPARATELY)

I0186 - Conductor bending tool
(required during field length cutting)



Cover

01 - White 02 - Black 10 - Gray

I0191 - Plastic cover to hide track mounting clip when using stem, cable or rod.



SUSPENSION MOUNTING (TO BE ORDERED SEPARATELY)

Painted finish

01 - White⁽¹⁾ 02 - Black⁽¹⁾ 10 - Gray⁽¹⁾
 21 - Black/White⁽²⁾ 20 - Gray/White⁽²⁾

Stem kit

- I0208-12** - 12" stem
- I0208-18** - 18" stem
- I0208-24** - 24" stem
- I0208-48** - 48" stem

Includes canopy, stem, 5'5" power cable and track mounting clip



- I0204-12** - 12" stem
- I0204-18** - 18" stem
- I0204-24** - 24" stem
- I0204-48** - 48" stem

Includes GWB anchor, stem and track mounting clip



Aircraft cable kit

I0216 - Canopy kit

Includes canopy, 5'-5" aircraft cable, 5'-5" power cable and 6" stem with track mounting clip



I0212 - Anchor kit

Includes GWB anchor, 5'-5" aircraft cable and 6" stem with track mounting clip



Canopy

I0220 - Canopy with 5'-5" power cable



⁽¹⁾ Canopy or anchor will match the kit color

⁽²⁾ Kit includes a default white painted canopy or anchor

ORDERING INFO

MODEL	VOLTAGE	FINISH
<input type="radio"/> I0166 - 4'L	<input type="radio"/> 120 - 120V	<input type="radio"/> 01 - White
<input type="radio"/> I0167 - 8'L	<input type="radio"/> 277 - 277V	<input type="radio"/> 02 - Black
<input type="radio"/> I0168 - 12'L*		<input type="radio"/> 12 - Aluminum

* 12' model (I0168) supplied in two pieces: 8' + 4'