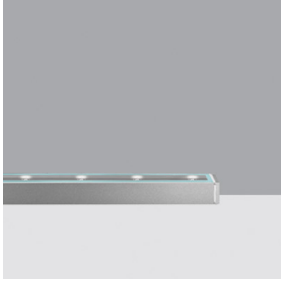


Dernière mise à jour des informations: Octobre 2024

Configuration du produit: BY34

BY34: Mini - Wall-/Ceiling-mounted - Warm White LED - 24V/500mA dc - L=1020mm - 20° Medium Optic

**Référence produit**

BY34: Mini - Wall-/Ceiling-mounted - Warm White LED - 24V/500mA dc - L=1020mm - 20° Medium Optic

Description technique

Direct light luminaire, designed to use monochrome LED lamps. Ceiling- and wall-mounted. Consists of a body and supports for installation (to be ordered separately). Extruded aluminium body, with zamak die-cast end caps complete with silicone gaskets. Coated with liquid acrylic paint with a high level of weather and UV ray resistance. The top of the optical assembly is closed by a 3 mm thick transparent glass screen, fixed with silicone. Complete with multi-LED power plate in Warm White with 24V/500mA dc electronic circuit (power supply to be ordered separately); 24V/500mA smart driver allowing constant light flow emission despite variations in the input voltage (from 30V dc to 16V dc). Fitted with satin-finish polycarbonate film and optics with plastic (methacrylate) lens for 20° MEDIUM lighting. All external screws used are made of A2 stainless steel. The luminaire technical characteristics conform to EN 60598-1 standards and particular requirements.

Installation

The following accessories are available for installation: adjustable wall-mounted arms in AISI304 stainless steel (L=83mm code BZJ9, 200mm code BZJ8) and a plate for surface- or ceiling-mounting made of anodised aluminium (BZJ6).

Coloris

Gris (15)

Poids (Kg)

1.59

Montage

applique murale/en saillie au plafond

Câblage

The product is supplied with a single nickel-plated brass cable gland PG9 and a 2x1mm² PVC and polyurethane outlet cable, 2000mm long. For the electrical connection there is an IP68 linear connector (BZK6) and an IP67 junction box with quick-coupling terminals (BZK7). 24V/500mA dc electronic ballasts to be ordered separately: 32W (BZA0), 25W (K980) and 35W (BZM4)

Remarque

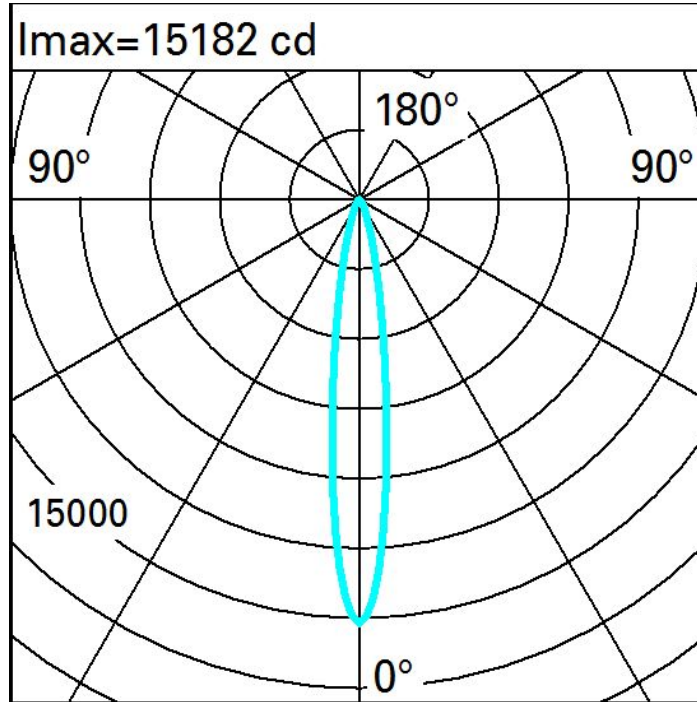
Product complete with LED lamp

Conforme à la norme EN60598-1 et à la réglementation en vigueur (ou à la réglementation relative)

**Données techniques**

Im du système:	1920	MacAdam Step:	3
W du système:	36	Durée de vie LED 1:	65,000h - L80 - B10 (Ta 25°C)
Im source:	3000	Durée de vie LED 2:	65,000h - L80 - B10 (Ta 40°C)
W source:	36	Voltage [V]:	36
Efficacité lumineuse (lm/W, valeurs du système):	53.3	Code Lampe:	LED
Im en mode secours:	-	Nombre de lampes par groupe optique:	1
Flux total émis à un angle de 90° ou plus [Lm]:	0	Code ZVEI:	LED
Light Output Ratio (L.O.R.) [%]:	64	Nombre de groupes optiques:	1
Angle d'ouverture [°]:	14°	Plage de température ambiante opérative:	De -30°C à 50°C.
IRC (minimum):	80	LED Courant [mA]:	500
Température de couleur [K]:	3000		

Polaire



Eclairéments

Lux Wall distance = 1m

3																					
	0.1	0.2	0.5	2	5	7	5	2	0.5	0.2	0.1										
2	0.3	0.6	2	5	13	21	13	5	2	0.6	0.3										
	0.5	1	3	9	24	38	24	9	3	1	0.5										
1	0.8	2	5	13	29	42	29	13	5	2	0.8										
	1	3	7	15	28	41	28	15	7	3	1										
0																					
	m	-2	-1	0	1	2	3														