

LIGHT UP BALISAGE
LED - PROFESSIONAL

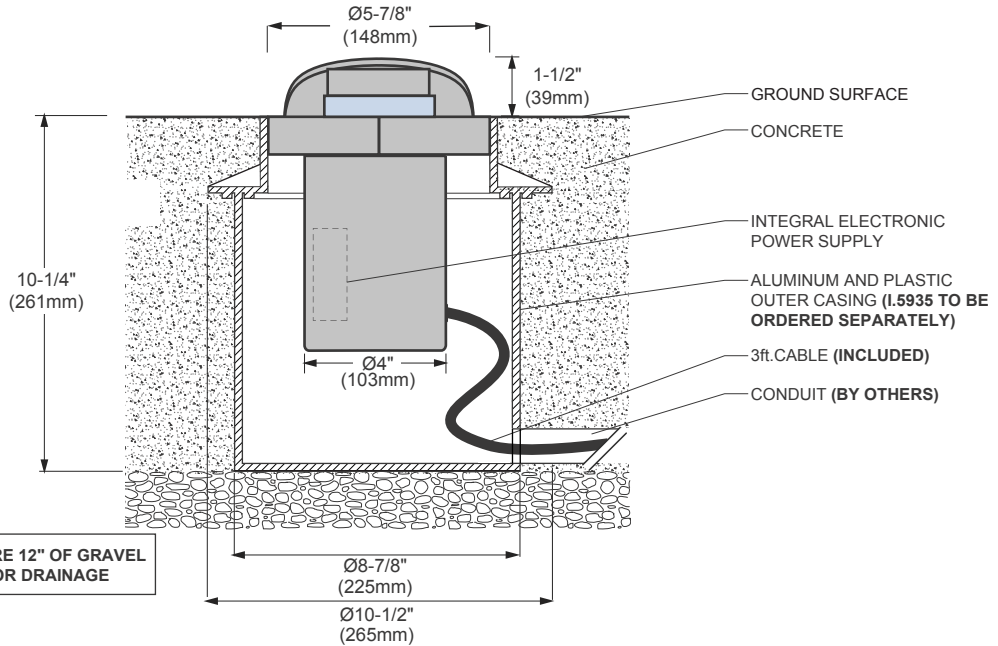
I.BD77, I.BD78, I.BM38, I.BM39

PAGE 1 OF 1
LAST UPDATE: DEC 4, 2015

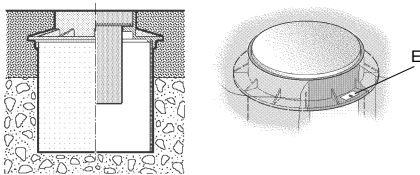
INSTALLATION

RECESSED BOX TO BE INSTALLED BY CONTRACTOR.

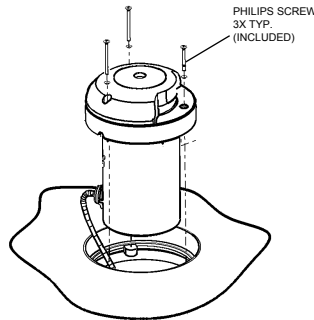
MAX. LOAD CAPACITY
5000kg. (11000 lbs.)
THESE LUMINAIRES ARE
DESIGNED TO BEAR PRESSURE UP
TO 5000kg. (11000lbs) FROM
VEHICULE W/ PNEUMATIC TIRES.
THE LUMINAIRE MUST NOT BE
USED IN TRAFFIC LANES WHERE
THEY ARE SUBJECT TO
HORIZONTAL PRESSURE FROM
VEHICLES BREAKING,
ACCELERATING AND CHANGING
DIRECTION. VEHICLES MUST NOT
EXCEED 18.6mph (30km/h) WHILE
DRIVING OVER THIS FIXTURE.
ALSO NOT TO BE USED WHERE
SNOW/PLOW COULD CIRCULATE.



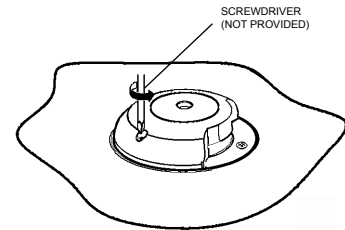
A - -INSTALL RECESSED BOX OPENING FLUSH WITH GROUND SURFACE.
- LABEL "E" ALLOWS YOU TO POSITION THE OUTER CASINGS IN THE DIRECTION OF ILLUMINATION.



B - -MAKE ALL NECESSARY WIRE CONNECTIONS IN FULLY CLOSED WATER TIGHT JUNCTION BOX (BY OTHERS)
-PUT THE FIXTURE IN THE BACK BOX



C - -SECURE 3X-PHILIPS SCREW (INCLUDED) WITH A SCREWDRIVER (NOT PROVIDED)



NOTE

INSTRUCTIONS MUST BE CARRIED OUT AS INDICATED FOR FITTING AND INSTALATION LIFE DUE TO WATER AND HUMIDE CONDITIONS BURIED PRODUCTS ARE SUBJECT TO.

WARNING

DRAINAGE

*IF FIXTURE IS TO BE INSTALLED IN CONCRETE OVER A GRAVEL BED, ENSURE THERE IS 12" OF GRAVEL.

*IF FIXTURE IS TO BE INSTALLED IN A CONCRETE DECK WHERE THERE IS NO GRAVEL UNDER THE FIXTURE, THEN A DRAIN TUBE IS REQUIRED TO ALLOW WATER TO BE DRAINED AWAY.

*HOUSING MUST HAVE SUITABLE DRAINAGE TO ENSURE NEVER HAVE WATER ACCUMULATED FOR MORE THAN 30 MINUTES.

THIS PRODUCT MUST BE INSTALLED IN ACCORDANCE WITH THE APPLICABLE INSTALLATION CODE BY A PERSON FAMILIAR WITH THE CONSTRUCTION AND OPERATION OF THE PRODUCT AND THE HAZARDS INVOLVED.

AGB - RO

APP. BY: **MAB**



9320 boul. St-Laurent
suite 100, Montréal (Québec)
Canada H2N 1n7
P.: 514.523.1339 F.: 514.525.6107

SISTEMALUX
GROUP

LIGHT UP BALISAGE
PROFESSIONAL