

Crystal delivers preciousness to the ceiling and throughout any space. The minimal linear form combines with the rich finish to create a magical play of light reflections, even when not in use. The new patented Opti Diamond optic is the result of a careful study of materials and engineering that optimize the catadioptric principle, producing an extraordinary brilliance, visual comfort and high efficiency.

**Luminaire characteristic:**

**Load input:** 6W to 31.6W (system wattage)  
**Lumens:** 786lm to 3443lm (for 3000K, 80CRI)  
**Luminaire efficacy:** up to 140lm/W

**Source:**

White LED module (LM-80)  
2700K: 80CRI, 90CRI,  
3000K: 80CRI, 90CRI,  
3500K: 80CRI, 90CRI,  
4000K: 80CRI, 90CRI.

**Lumen maintenance:**

85% of initial lumens at 50 000 hours (L85) (LM-79).

**Optics:**

Medium, wide flood oval transversal or longitudinal, general light optic available with UGR < 19 option (BO) and wall washer optic with Opti Diamond technology.

**Material:**

Body and heat sink: Extruded aluminum  
End caps: Cast zamak  
Reflector and baffle: Translucent textured methacrylate raster  
Housing: Galvanized steel

**Mounting:**

Remodel, New construction with plaster frame,  
New construction with housing for Chicago plenum.

**Electrical:**

Integral high efficiency LED driver rated at 50 000 hours, 120V or 120-277V.

**Dimming:**

0-10V dimming (120-277V), down to 10%.  
0-10V dimming (120-277V), down to 1%.  
Leading edge (TRIAC) and trailing edge (ELV) dimming (120V only), down to 15%.  
Dali dimming (120-277V), down to 1%.

**Finish:**

Black or white (RAL9010) body with translucent textured methacrylate raster.

**Weight:**

ICRY3T: 3.88lbs (1.76kg)  
ICRY6T: 4.53lbs (2.06kg)  
ICRY9T: 4.98lbs (2.26kg)

**Warranty:**

5 year limited warranty.

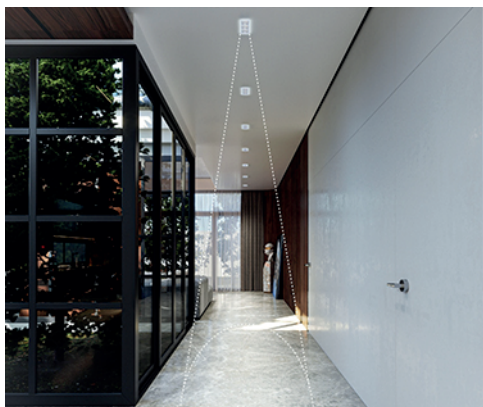
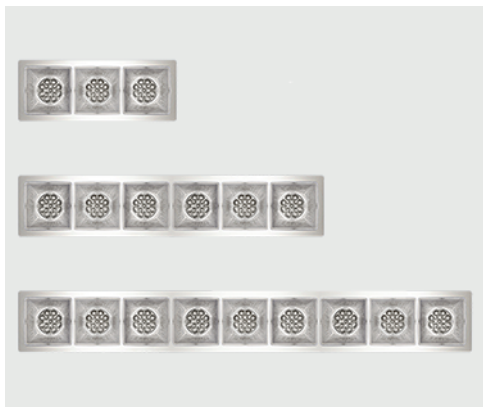
**Ratings:**

IP20, IP43 (from under the ceiling)

**Certification:**



cULus listed for damp location. Interior use only.



**ORDERING INFO**



PRODUCT CODE			INSTALLATION CODE					
MODEL	MOUNTING	INSTALLATION TYPE	OUTPUT	LED	OPTIC	VOLTAGE	FINISH	DIMMING
<b>ICRY3</b> Three cells	<b>T</b> Trim	<b>RF</b> Remodel	<b>BO</b> <sup>1</sup> UGR < 19	<b>827*</b> 2700K, 80CRI	<b>MD</b> <sup>2</sup> Medium 35°	<b>120</b> 120V	<b>D8</b> White / transparent	<b>120V</b>
<b>ICRY6</b> Six cells		<b>NC</b> New construction plaster frame	<b>HO</b> High output	<b>830</b> 3000K, 80CRI	<b>LW</b> <sup>3</sup> Wide flood oval longitudinal	<b>UNV</b> 120-277V	<b>83</b> Black / transparent	<b>LTE</b> Leading edge and trailing edge (down to 15%)
<b>ICRY9</b> Nine cells		<b>CP</b> New construction chicago plenum housing		<b>835</b> 3500K, 80CRI	<b>TW</b> <sup>3</sup> Wide flood oval transversal			<b>120-277V (UNV)</b>
				<b>840</b> 4000K, 80CRI	<b>GL</b> General light			<b>D01</b> <sup>4</sup> 0-10V (down to 1%)
				<b>927*</b> 2700K, 90CRI	<b>WW</b> Wall washer			<b>D10</b> 0-10V (down to 10%)
				<b>930</b> 3000K, 90CRI				<b>DA</b> <sup>4</sup> Dali (down to 1%)
				<b>935</b> 3500K, 90CRI				
				<b>940</b> 4000K, 90CRI				

1 Only available for general light (GL) optic.  
 2 Available for 3 cells (ICRY3T) and 6 cells (ICRY6T) models.  
 3 Available for 3 cells (ICRY3T) model.  
 4 Available for 6 cells (ICRY6T) and 9 cells (ICRY9T) models. Also available for 3 cells (ICRY3T) with high output (HO).  
 \* LED options may require a longer lead time. Please contact customer service for details.

**INSTALLATION OPTIONS**

**Remodel (RF)**

Versatile fixture for new or existing ceiling structure. Suitable for insulated or non-insulated ceiling assemblies, like sheetrock, or paneling. Fixture is ready for remodeling installation.

**Ceiling thickness:** 1/8" - 1 1/8" (3mm - 29mm)



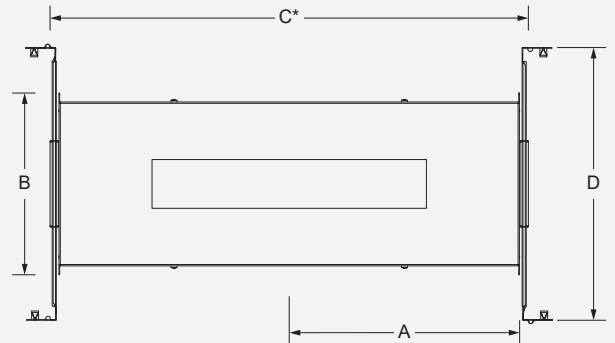
Model	Cut-out dimensions	Clearance (H)
ICRY3	2 9/16" x 7 1/16" (64.5 x 185mm)	3 3/4" (96mm)
ICRY6	2 9/16" x 14 3/16" (64.5 x 363mm)	
ICRY9	2 9/16" x 21 3/8" (64.5 x 543mm)	

\*Can be installed from below the ceiling.

**New construction with plaster frame (NC)**

Plaster frame with hanger bars system to be installed during rough-in phase. Suitable for insulated or non-insulated ceiling assemblies, like sheetrock, or paneling. Plaster frame can be shipped separately.

**Ceiling thickness:** 1/8" - 1 1/8" (3mm - 29mm)



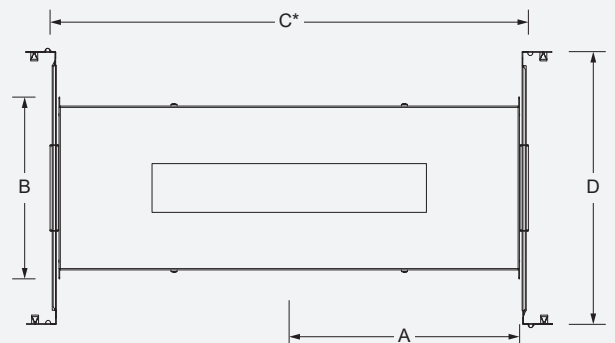
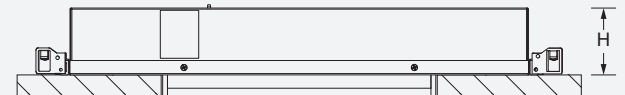
\*Provide a minimum of 1/8" (46mm) on each side for the hanger bar fixations

Model	Plaster frame	Cut-out dimensions	Cut-out position (A)	Overall dimensions (BxC)	Hanger bars (D)	Clearance (H)
ICRY3	BN-CRY3T-NC	2 9/16" x 7 1/16" (64.5 x 185mm)	12" (305mm)	9 1/2" x 25" (240 x 633mm)	14 1/4" to 26" (362 to 660mm)	3 3/4" (96mm)
ICRY6	BN-CRY6T-NC	2 9/16" x 14 3/16" (64.5 x 363mm)	12" (305mm)	9 1/2" x 25" (240 x 633mm)		
ICRY9	BN-CRY9T-NC	2 9/16" x 21 3/8" (64.5 x 543mm)	15 3/8" (390mm)	9 1/2" x 31 1/16" (240 x 804mm)		

**New construction with housing suitable for Chicago plenum (CP)**

Housing with hanger bars system for new construction installations. Suitable for insulated or non insulated ceiling in Chicago plenum applications. Housing can be shipped separately.

**Ceiling thickness:** 1/8" - 1 1/8" (3mm - 29mm)



\*Provide a minimum of 1/8" (46mm) on each side for the hanger bar fixations

Model	Housing	Cut-out dimensions	Cut-out position (A)	Overall dimensions (BxC)	Hanger bars (D)	Clearance (H)
ICRY3	BI-CRY3T-CP	2 9/16" x 7 1/16" (64.5 x 185mm)	12" (305mm)	9 1/2" x 25" (240 x 633mm)	14 1/4" to 26" (362 to 660mm)	3 5/8" (92mm)
ICRY6	BI-CRY6T-CP	2 9/16" x 14 3/16" (64.5 x 363mm)	12" (305mm)	9 1/2" x 25" (240 x 633mm)		
ICRY9	BI-CRY9T-CP	2 9/16" x 21 3/8" (64.5 x 543mm)	15 3/8" (390mm)	9 1/2" x 31 1/16" (240 x 804mm)		

**TRIM MODELS DIMENSIONS**

**ICRY3**



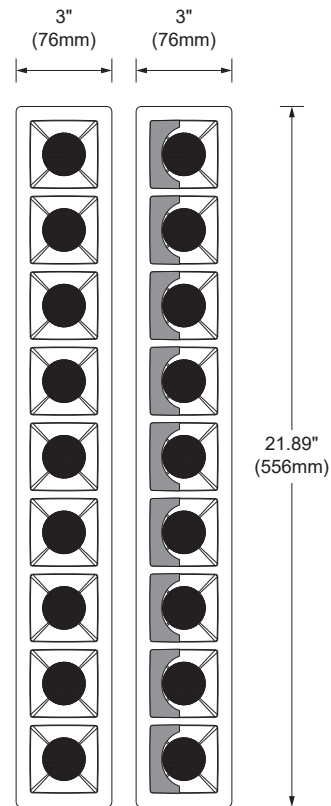
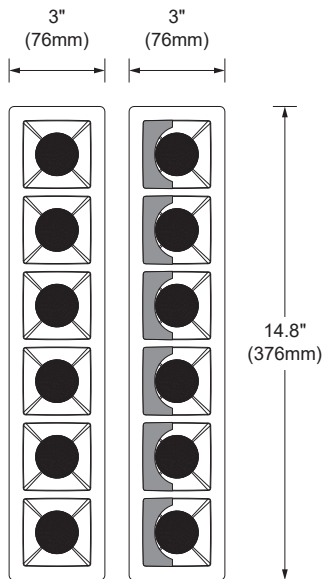
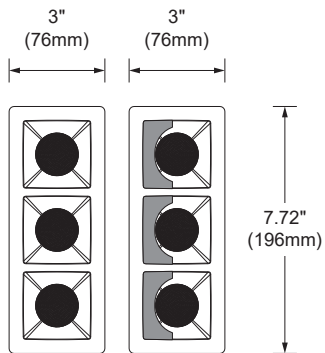
**ICRY6**



**ICRY9**



**FRONT VIEW**

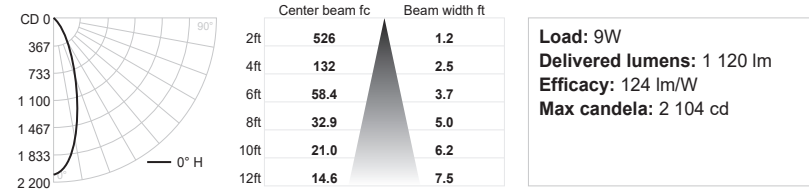


**BOTTOM VIEW**

\* See page 6 for installation option details

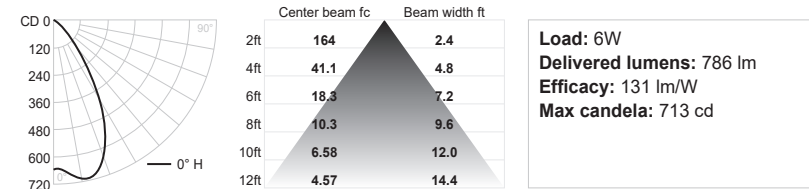
**PHOTOMETRIC DATA**

**Crystal 3 cells (3000K, 80CRI) • High output • Medium 35° (ICRY3T-HO-830-MD)**



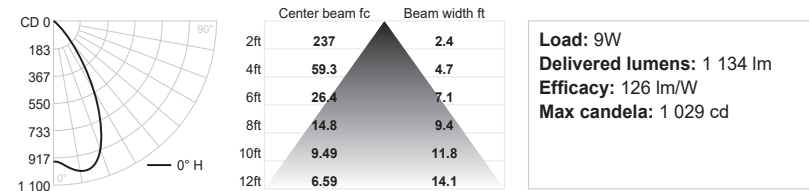
Photometric data multiplier				
Color temperature	80 CRI		90 CRI	
2700K	1	9W*	1	11W*
3000K	1	<b>9W*</b>	1	11W*
3500K	1	9W*	1	11W*
4000K	1.04	8.6W*	1	10.2W*

**Crystal 3 cells (3000K, 80CRI) • Base output • General light (ICRY3T-BO-830-GL)**



Photometric data multiplier				
Color temperature	80 CRI		90 CRI	
2700K	1	6W*	0.97	7W*
3000K	1	<b>6W*</b>	0.97	7W*
3500K	1	6W*	0.97	7W*
4000K	0.98	5.6W*	0.97	7W*

**Crystal 3 cells (3000K, 80CRI) • High output • General light (ICRY3T-HO-830-GL)**



Photometric data multiplier				
Color temperature	80 CRI		90 CRI	
2700K	1	9W*	1	11W*
3000K	1	<b>9W*</b>	1	11W*
3500K	1	9W*	1	11W*
4000K	1.04	8.6W*	1	10.2W*

**Crystal 3 cells (3000K, 80CRI) • High output • Wall washer (ICRY3T-HO-830-WW)**



Photometric data multiplier				
Color temperature	80 CRI		90 CRI	
2700K	1	9W*	1	11W*
3000K	1	<b>9W*</b>	1	11W*
3500K	1	9W*	1	11W*
4000K	1.04	8.6W*	1	10.2W*

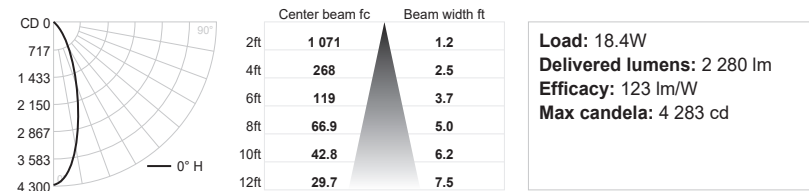
**Crystal 3 cells (3000K, 80CRI) • High output • Wide flood oval longitudinal (ICRY3T-HO-830-LW)**

Potometric data coming soon

**Crystal 3 cells (3000K, 80CRI) • High output • Wide flood oval transversal (ICRY3T-HO-830-TW)**

Potometric data coming soon

**Crystal 6 cells (3000K, 80CRI) • High output • Medium 35° (ICRY6T-HO-830-MD)**



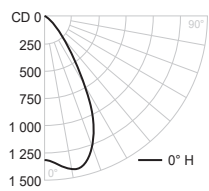
Photometric data multiplier				
Color temperature	80 CRI		90 CRI	
2700K	1	18.4W*	1	22.7W*
3000K	1	<b>18.4W*</b>	1	22.7W*
3500K	1	18.4W*	1	22.7W*
4000K	1	17.6W*	1	21W*

\*Fixture loads adjusted to keep a uniform lumen output across all color temperatures.

**PHOTOMETRIC DATA**

**Crystal 6 cells (3000K, 80CRI) • Base output • General light**

**(ICRY6T-BO-830-GL)**



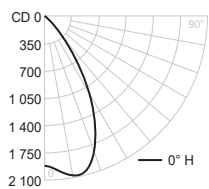
Center beam fc	Beam width ft
2ft 331	2.4
4ft 82.6	4.8
6ft 36.7	7.2
8ft 20.7	9.6
10ft 13.2	12.0
12ft 9.18	14.4

**Load: 12W**  
**Delivered lumens: 1 580 lm**  
**Efficacy: 131 lm/W**  
**Max candela: 1 434 cd**

Photometric data multiplier				
Color temperature	80 CRI	90 CRI		
2700K	1	12W*	0.97	14.5W*
3000K	1	<b>12W*</b>	0.97	14.5W*
3500K	1	12W*	0.97	14.5W*
4000K	0.97	11.2W*	0.97	13.6W*

**Crystal 6 cells (3000K, 80CRI) • High output • General light**

**(ICRY6T-HO-830-GL)**



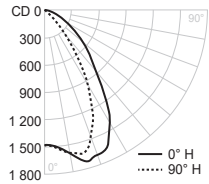
Center beam fc	Beam width ft
2ft 483	2.4
4ft 121	4.8
6ft 53.7	7.2
8ft 30.2	9.6
10ft 19.3	12.0
12ft 13.4	14.4

**Load: 18.4W**  
**Delivered lumens: 2 309 lm**  
**Efficacy: 125 lm/W**  
**Max candela: 2 096 cd**

Photometric data multiplier				
Color temperature	80 CRI	90 CRI		
2700K	1	18.4W*	1	22.7W*
3000K	1	<b>18.4W*</b>	1	22.7W*
3500K	1	18.4W*	1	22.7W*
4000K	1	17.6W*	1	21W*

**Crystal 6 cells (3000K, 80CRI) • High output • Wall washer**

**(ICRY6T-HO-830-WW)**

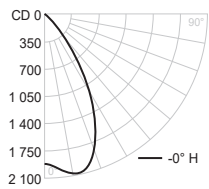


**Load: 18.4W**  
**Delivered lumens: 2 138 lm**  
**Efficacy: 116 lm/W**  
**Max candela: 1 729 cd**

Photometric data multiplier				
Color temperature	80 CRI	90 CRI		
2700K	1	18.4W*	1	22.7W*
3000K	1	<b>18.4W*</b>	1	22.7W*
3500K	1	18.4W*	1	22.7W*
4000K	1	17.6W*	1	21W*

**Crystal 9 cells (3000K, 80CRI) • Base output • General light**

**(ICRY9T-BO-830-GL)**



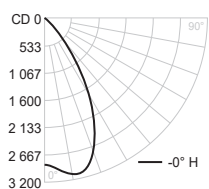
Center beam fc	Beam width ft
2ft 483	2.4
4ft 121	4.8
6ft 53.7	7.2
8ft 30.2	9.6
10ft 19.3	12.0
12ft 13.4	14.4

**Load: 18.3W**  
**Delivered lumens: 2 309 lm**  
**Efficacy: 126 lm/W**  
**Max candela: 2 096 cd**

Photometric data multiplier				
Color temperature	80 CRI	90 CRI		
2700K	1	18.3W*	1	22.2W*
3000K	1	<b>18.3W*</b>	1	22.2W*
3500K	1	18.3W*	1	22.2W*
4000K	1.02	17.4W*	1.02	20.9W*

**Crystal 9 cells (3000K, 80CRI) • High output • General light**

**(ICRY9T-HO-830-GL)**



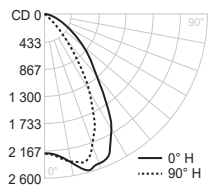
Center beam fc	Beam width ft
2ft 720	2.4
4ft 180	4.8
6ft 80.0	7.2
8ft 45.5	9.6
10ft 28.8	12.0
12ft 20.0	14.4

**Load: 26W**  
**Delivered lumens: 3 443 lm**  
**Efficacy: 132 lm/W**  
**Max candela: 3 125 cd**

Photometric data multiplier				
Color temperature	80 CRI	90 CRI		
2700K	1	26W*	1	31.6W*
3000K	1	<b>26W*</b>	1	31.6W*
3500K	1	26W*	1	31.6W*
4000K	1.01	24.8W*	1	29.2W*

**Crystal 9 cells (3000K, 80CRI) • High output • Wall washer**

**(ICRY9T-HO-830-WW)**



**Load: 26W**  
**Delivered lumens: 3 188 lm**  
**Efficacy: 122 lm/W**  
**Max candela: 2 579 cd**

Photometric data multiplier				
Color temperature	80 CRI	90 CRI		
2700K	1	26W*	1	31.6W*
3000K	1	<b>26W*</b>	1	31.6W*
3500K	1	26W*	1	31.6W*
4000K	1.01	24.8W*	1	29.2W*

\*Fixture loads adjusted to keep a uniform lumen output across all color temperatures.