

Project name: _____

Type: _____



General information

Luminaire characteristics:

Power input: 12 to 22.1W

Lumens: 1370 to 1960 lm (delivered)

Luminaire efficacy: 85 to 124 lm/W

Source: White LED 3000K or 4000K : 70CRI.

Lumen maintenance: >80% of initial lumens at 100 000 hours (L80). LM-80 (LED) / LM-79 tested.

Optics: Street optic, IESNA optics type II or III with comfort optic for reduced glare. Adjustable +45°/-60° tilt and 337° pan.

Body: Die-cast aluminum optical assembly and frame. Sodium-calcium tempered sealing glass, sealed at the factory. Stainless steel fastening components and hardware. Supplied with an aluminum mounting plate.

Electrical: Universal high efficiency electronic power supply, rated 50 000 H. 120V-277V.

Mounting: Wall arm, wall surface or ground spike.

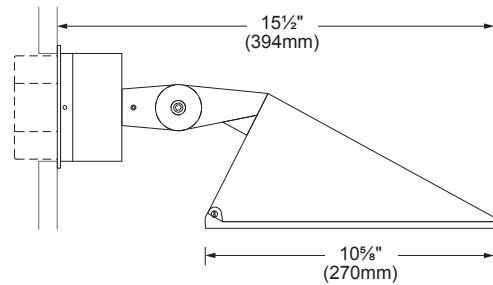
Finish: Gray (RAL9007) .

Weight: 4.9lbs (2.2kg).

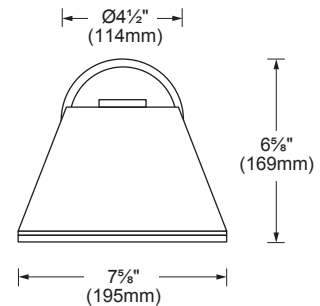
Warranty: 5 year limited warranty.

Certification: cULus listed for wet location.

Ratings: IP66, IK09.



SIDE VIEW

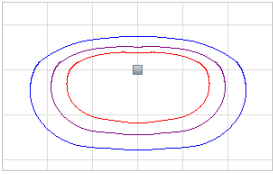


FRONT VIEW

Project name: _____

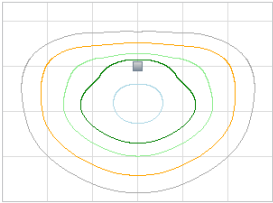
Type: _____

TECHNICAL DATA



IES II COMFORT

K	MODEL	BO			HO			VHO		
		L/W	LUMENS	WATTS	L/W	LUMENS	WATTS	L/W	LUMENS	WATTS
3000	I.BV15	83	1400	16.8	82	1630	19.7	81	1800	22.1
4000	I.BU40	90	1520	16.8	89	1770	19.7	88	1960	22.1



IES III COMFORT

K	MODEL	BO			HO			VHO		
		L/W	LUMENS	WATTS	L/W	LUMENS	WATTS	L/W	LUMENS	WATTS
3000	I.BV16	114	1370	12	106	1590	15	103	1760	17
4000	I.BU41	124	1490	12	115	1730	15	112	1910	17

Project name: _____

Type: _____

ACCESSORIES (TO BE ORDERED SEPARATELY)

I.5595 - Anchor bolt for wall mounting



I.B989 - Ground spike



I.1190-02 - Black flange for 1 or 2 fixtures
1½" to 2¾" (40 to 60mm) pole



I.1190-15 - Gray flange for 1 or 2 fixtures
1½" to 2¾" (40 to 60mm) pole

ORDERING INFO

MODEL	OUTPUT	VOLTAGE	FINISH
MODEL	OUTPUT BO HO VHO	<input type="radio"/> UNV- 120-277V	<input type="radio"/> 15 - GRAY
I.BV15	<input type="radio"/> <input type="radio"/> <input type="radio"/>		
I.BU40	<input type="radio"/> <input type="radio"/> <input type="radio"/>		
I.BV16	<input type="radio"/> <input type="radio"/> <input type="radio"/>		
I.BU41	<input type="radio"/> <input type="radio"/> <input type="radio"/>		