

Project name: \_\_\_\_\_

Type: \_\_\_\_\_



Surface mounted luminaire with a low physical presence that is ideal for highlighting the details on buildings' facades. Design by Dean Skira

**Luminaire characteristics:**

**Input load:** 2.9W

**Lumens:** 163lm

**Luminaire efficacy:** 56lm/W

**Source:** LED module, (LM-80 tested)

3000K: 80CRI

**Lumen maintenance:** >80% of initial lumens at 50 000 hours (L80),(LM-79 tested)

**Optics:** Wall washer effect

**Mounting:** Wall or ceiling mounted on standard 4" J box. Floor mounting in dry location only (interior)

**Material:**

Body: Die-cast aluminum

Diffuser: PMMA lens

Hardware: Stainless steel screws

**Electrical:** Integral high efficiency electronic power supply, rated at 50000 hours, 120V.

**Finish:** White RAL9016 or Gray RAL9007 painted finish with a high level of weather and UV resistance. The semi-gloss finish coating is electrostatically applied, durable acrylic enamel baked at high temperatures for superior color retentive finish.

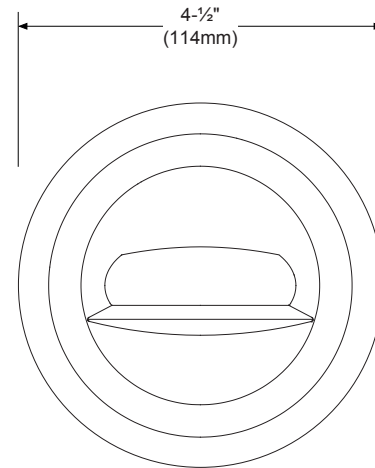
**Weight:** 1.25lb (0.56kg)

**Contact temperature:** Less than 50°C (122°F)

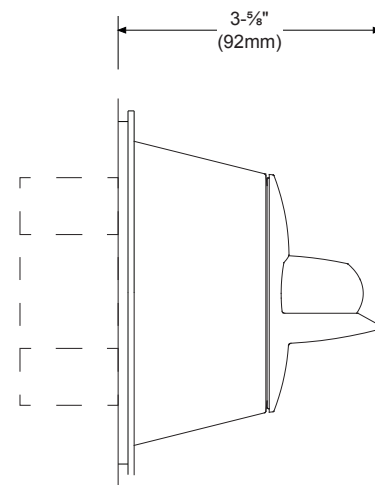
**Warranty:** 5 year limited warranty

**Certification:** cULus listed for wet location

**Ratings:** IP66, IK07



**FRONT VIEW**



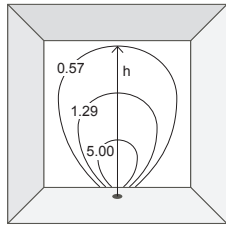
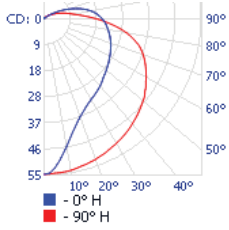
**SIDE VIEW**

Project name: \_\_\_\_\_

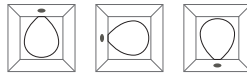
Type: \_\_\_\_\_

**TECHNICAL DATA**

LOAD (W)	CCT (K)	CRI	OPTIC	DELIVERED LUMENS (lm)	LUMINAIRE EFFICACY (lm / w)	CENTER BEAM CANDLE POWER (cd)	MODEL
2.9W	3000K	80	Wall washer	163	56	54	I.BU21



Distance (h)	Illuminance
3.3'	5.00 fc
6.5'	1.29 fc
9.8'	0.57 fc



**ORDERING INFO**

MODEL	VOLTAGE	FINISH
<input type="radio"/> MODEL <b>I.BU21</b>	<input type="radio"/> VOLTAGE <b>120 - 120V</b>	<input type="radio"/> FINISH <b>01 - White</b>
		<input type="radio"/> <b>15 - Gray</b>