

Linealuce 37 creates a linear luminous band that is designed to illuminate surfaces evenly. In ground or wall recessed luminaire for exterior applications. Suitable for most architectural applications, available in 3 sizes that can be installed as single elements or in continuous rows.
 Design: Jean-Michel Wilmotte

Luminaire characteristics:

Power input: 3.5/ft (remote fixture only)
Lumens: Up to 230lm/ft (for 3000K, 80CRI)
Luminaire efficacy: Up to 65lm/W

Source:	White LED (LM-80 tested), 3000K: 80CRI, 4000K: 80CRI,
Lumen maintenance:	>80% of initial lumens at 100 000 hours (L80).
Optics:	Available in spot or flood optic.
Material:	Body: Extruded aluminum and die-cast aluminum end caps. Conection box: PPS (polyphenylene sulfide). Protective screen: ¼" (3mm) sodium-calcium tempered sealing glass with silk screen. Hardware: Stainless steel screws and silicone gasket.
Mounting:	Wall or ground recessed with back box. Ground recessed installation must have 8" gravel below the luminaire to allow proper drainage.
Electrical:	See remote LED driver options on page 3.
Dimming:	Remote LED driver 0-10V, down to 10%.
Temperature of operation:	-22°F to 113°F (-30°C to 45°C).
Contact temperature:	Less than 104°F (40°C).
Load capacity:	Maximum static load 2200lbs (1000kg).
Finish:	Gray painted (RAL9007) with a high level of weather and UV resistance. The semi-gloss finish coating is electrostatically applied, durable acrylic enamel baked at high temperatures for superior color retentive finish.
Weight:	1.49lb/ft (0.67kg/ft)
Warranty:	5 year limited warranty.
Ratings:	IP67, IK109
Certification:	cULus listed for wet location



ORDERING INFO

ILMR - - - - - **15**
FIXTURE

ILMR - - - **00**
BACK BOX

MODEL

ILMR

OPTIC

SP - Spot 19°
(suitable for wall grazing application) **FL** - Flood 47°

LED

L3 - 3000K, 80CRI **L4** - 4000K, 80CRI

LENGTH

_____ Refer to length on page 5.

MOUNTING

M1 - Back box **M2** - Back box with 7% "safety cable" **NA** - No back box required

FEED

R - Right **L** - Left **N** - No feed (For in-line modules)

FINISH

15 - Gray

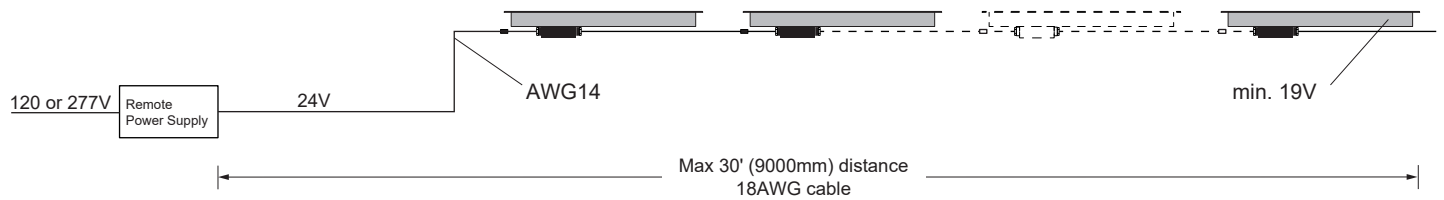
REMOTE LED DRIVERS OPTIONS
 (TO BE ORDERED SEPARATELY)

Watts	Voltage	Rated	Dimming protocol	Dimming range	Dimensions	Max distance*** 18AWG
<input type="checkbox"/> 4448-0024-060-UNV-ND						
60	120-277V	Indoor	None	None	10" x 8" x 4" (254 x 203 x 102mm)	30ft(9m)
<input type="checkbox"/> 4545-0024-075-UNV-ND						
75	120-277V	Outdoor	None	None	11¼" x 3" x 1⅝" (285 x 75 x 41mm)	30ft(9m)
<input type="checkbox"/> 4548-0024-096-UNV-D10-PWM						
96	120-277V	Outdoor	0-10V	Down to ±10%	6" x 4,5" x 3" (153 x 115 x 76mm)	30ft(9m)
<input type="checkbox"/> 4448-0024-120-120-ND						
120	120V	Indoor	None	None	10" x 8" x 4" (254 x 203 x 102mm)	30ft(9m)
<input type="checkbox"/> 4546-0024-200-2C-UNV-ND						
200	120-277V	Outdoor	None	None	12¼" x 2½" x 2⅜" (311 x 114 x 60mm)	30ft(9m) Per channel
<input type="checkbox"/> 4448-0024-240-120-ND						
240	120V	Indoor	None	None	12" x 8" x 4" (305 x 203 x 102mm)	30ft(9m)

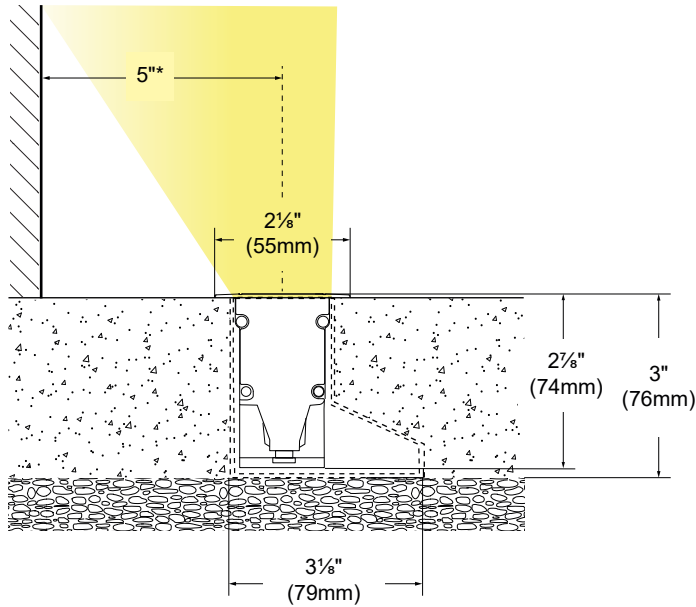
* Wattage requirement for one (1) fixture: 4W/ft, 24V (remote fixture only).
 **The total power of all connected luminaires may not be higher than the power on the driver.
 ***For longer remote distance, contact factory

SUGGESTED WIRING DIAGRAM

The linealuce MINI integral electronic circuits are designed to eliminate voltage drop and are capable to providing constant light output with voltage as low as 19V.



MOUNTING AND DIMENSIONS



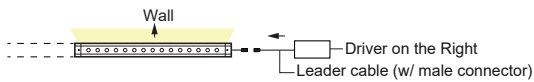
SIDE VIEW

*Intall 5" (127mm) from surface to eliminate dark areas between luminaires.

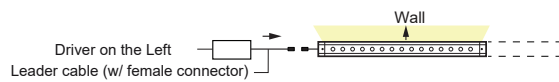
FEED OPTIONS (INCLUDED)

Choosing between right or left feed matters for the direction of a wall grazing application

R - Right feed



L - Left feed

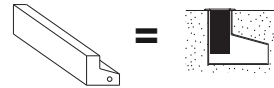


N - No feed (for in-line modules)

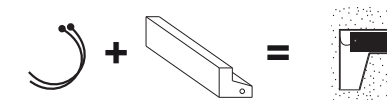


For in ground installation 8" of gravel below the luminaire is required to allow proper drainage. The appropriate flow of water away from back box is necessary to maintain the longevity of the system.

***M1 - Back box fro concrete installation**

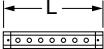



***M2 - Back box with 7 7/8" (200mm) safety cable for wall application**




***Wiring box included**

LENGTHS

2' 
L: 1' 9 3/4" (528mm)

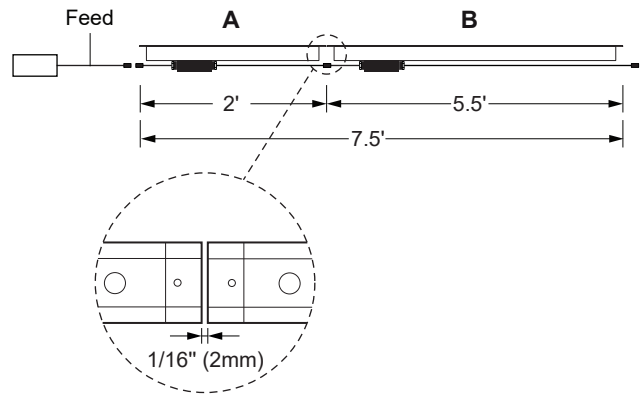
3.5' 
L: 3' 6 1/2" (1080mm)

5.5' 
L: 5' 5 3/8" (1609mm)

CONTINUOUS ROWS EXAMPLE

Single elements can be combined to obtain a linear continuous row with a single feed point. Interconnecting power cable and hardware are preconfigured at the factory and supplied with the luminaires. To get the desired length, simply choose standard modules to combine (example: A+B). For in-line modules (B), no feed is required.
*Note that 2mm spacing minimum is required for continuous rows installation.

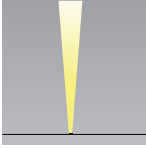
Nominal length	Exact length	Single elements qty	Watts
7.5'	7' 1 1/4"	1 x 2' + 1 x 5.5'	28.2
9'	8' 10"	1 x 3.5' + 1 x 5.5'	34.8
11'	10' 6 7/8"	2 x 5.5'	41.6
12.5'	12' 4 5/8"	1 x 2' + 2 x 5.5'	49
14.5'	14' 1 3/8"	1 x 3.5' + 2 x 5.5'	55.6
16'	15' 10 1/4"	3 x 5.5'	62.4
18'	17' 8"	1 x 2' + 3 x 5.5'	69.8
19.5'	19' 4 7/8"	1 x 3.5' + 3 x 5.5'	76.4
21.5'	21' 1 5/8"	4 x 5.5'	83.2
23'	22' 11 1/2"	1 x 2' + 4 x 5.5'	90.6
25'	24' 8 1/4"	1 x 3.5' + 4 x 5.5'	97.2
26.5'	26' 5"	5 x 5.5'	104



PHOTOMETRIC DATA

Visit iguzzini.com for complete photometric data.

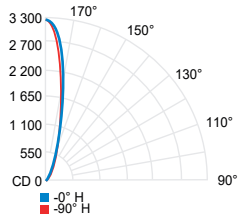
Spot



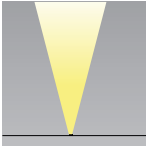
CCT (K)	CRI	OUTPUT	LOAD (W/ft)	LUMENS (lm/ft)	EFFICACY (lm/w)	MAX CANDELA (cd)	MODELS
3000K	80	HO	3.5W/ft	230	65	3 225	ILMR-SP-L3
4000K				230	65	3 225	ILMR-SP-L4

Suitable for grazing applications

HO 19° (3000K, 80CRI), 4'L.



Flood



CCT (K)	CRI	OUTPUT	LOAD (W/ft)	LUMENS (lm/ft)	EFFICACY (lm/w)	MAX CANDELA (cd)	MODELS
3000K	80	HO	3.5W/ft	150	43	595	ILMR-FL-L3
4000K				150	43	595	ILMR-FL-L4

HO 47° (3000K, 80CRI), 4'L.

